

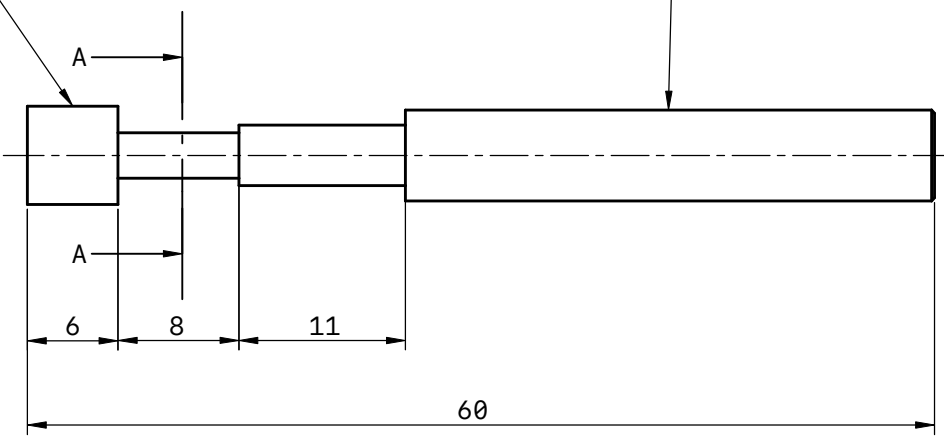
1 2 3 4 5 6

A

A

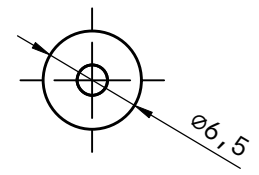
B91-C150-V

TC shank



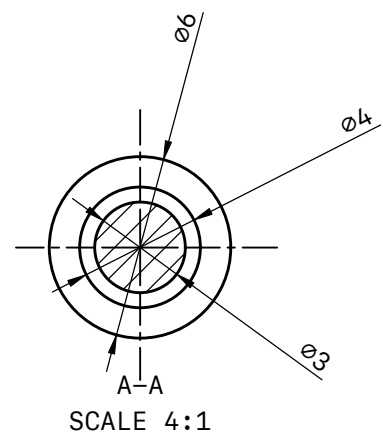
B

B



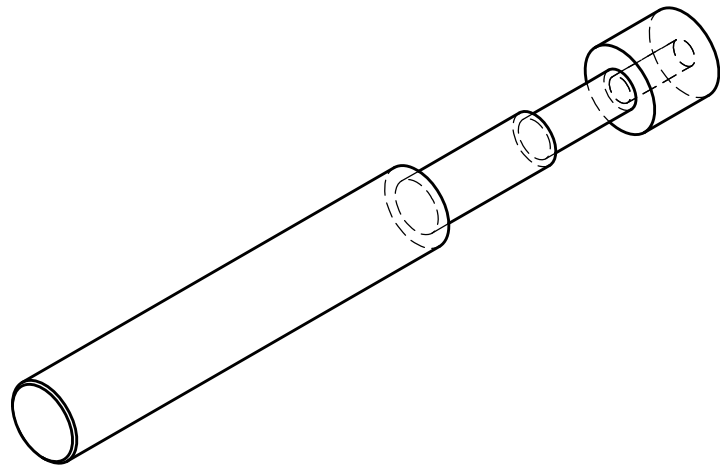
C

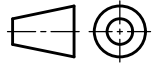
C



D

D



TITLE		
10-3-2014-RC D6,5		
LAST UPDATED	UNITS	SHEET
08/09/22	mm	1 / 1
FIRST ANGLE PROJECTION	SCALE	SIZE
	2:1	A4

1 2 3 4 5 6