

1

2

3

4

5

6

A

B

C

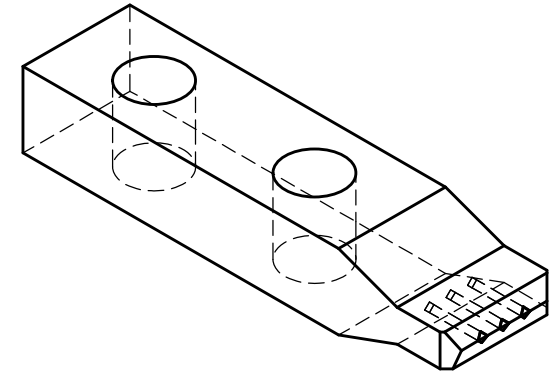
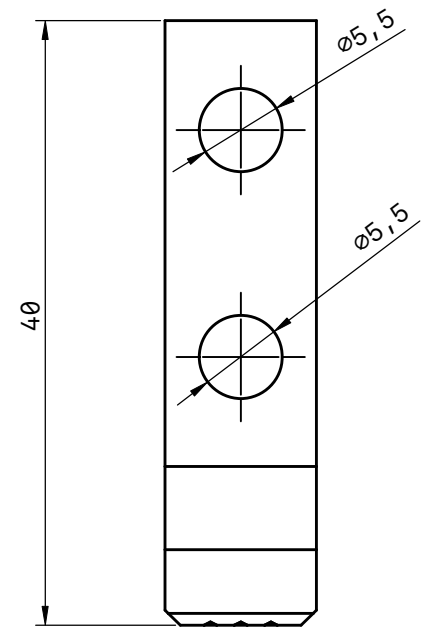
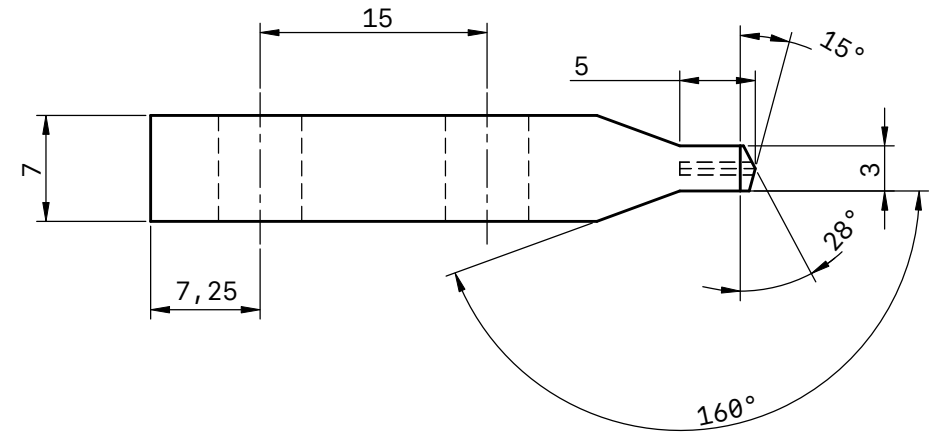
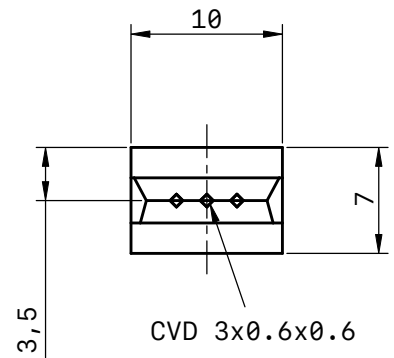
D

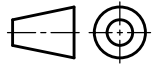
A

B

C

D



TITLE		
HU255309 L40		
LAST UPDATED	UNITS	SHEET
05/04/22	mm	1 / 1
FIRST ANGLE PROJECTION	SCALE	SIZE
	2:1	A4

1

2

3

4

5

6